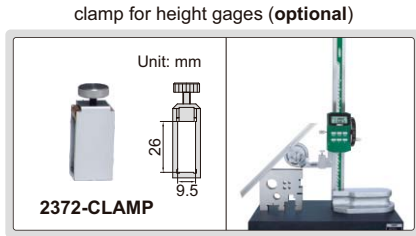
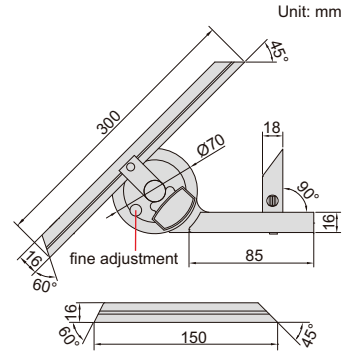
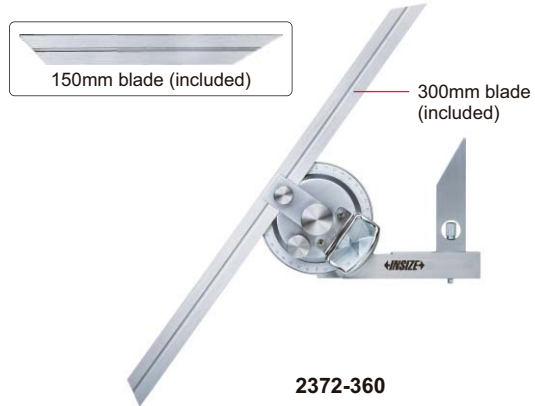


# UNIVERSAL PROTRACTOR



- Parallax-free reading
- Made of stainless steel
- Optional accessory: clamp (code **2372-CLAMP**), suitable for height gages **1156**, **1351** and **1250**



Code	Range	Graduation	Accuracy
<b>2372-360</b>	0-360°	5'	±5'